

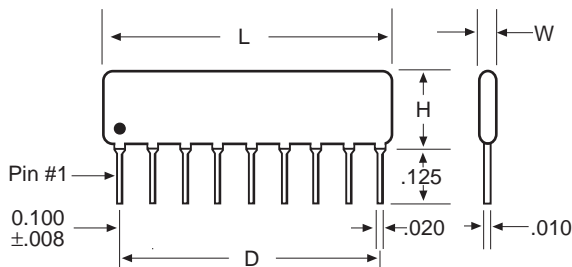
THICK FILM SIP NETWORKS

FEATURES:

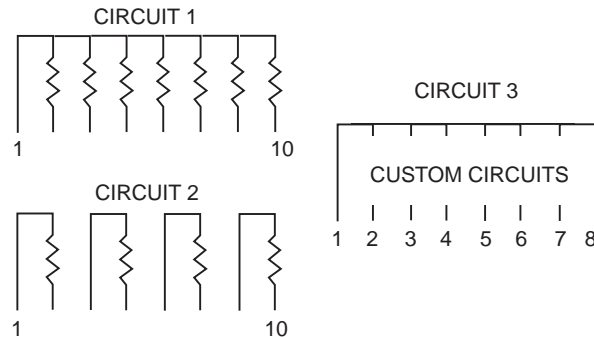
- Resistance range: 10Ω to 10 Meg.
- Resistance tolerance ±1%, ±2%, ±5%
- Temperature coefficient: ±100ppm/°C
- TC tracking: 50ppm/°C
- Max. continuous working voltage: 50V
- Operating temperature: -55°C to 150°C
- Optional number of pins in addition to 8 and 10



TYPE "TSN"



FRONT MARKING DOT INDICATES POSITION OF PIN #1.



STANDARD CONFIGURATIONS AND ELECTRICAL SPECIFICATIONS:

TEPRO TYPE	NUMBER PINS	DIMENSIONS (Inches)				POWER PER RESISTOR (Watts)	RESISTANCE RANGE PER RESISTOR	
		L MAX.	W ±.010	H ±.010	D ±.010		MIN.	MAX.
TSN-04	4	.400	.090	.350	.300	0.125	10	10M
TSN-05	5	.500	.090	.350	.400	0.125	10	10M
TSN-06	6	.600	.090	.350	.500	0.125	10	10M
TSN-07	7	.700	.090	.350	.600	0.125	10	10M
TSN-08	8	.800	.090	.350	.700	0.125	10	10M
TSN-09	9	.900	.090	.350	.800	0.125	10	10M
TSN-10	10	1.000	.090	.350	.900	0.125	10	10M
TSN-11	11	1.100	.090	.350	1.000	0.125	10	10M
TSN-12	12	1.200	.090	.350	1.100	0.125	10	10M

HOW TO ORDER:

Sample Part No: ISN - 10 - 1 - 223 - 1%

Tepro Type _____
 Number of pins _____
 Circuit type (1=N - 1) _____
 (2=N / 2)
 Resistance value _____
 Resistance tolerance (%) _____