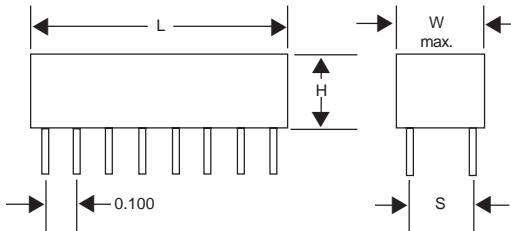
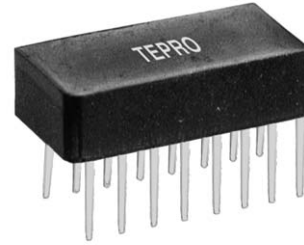


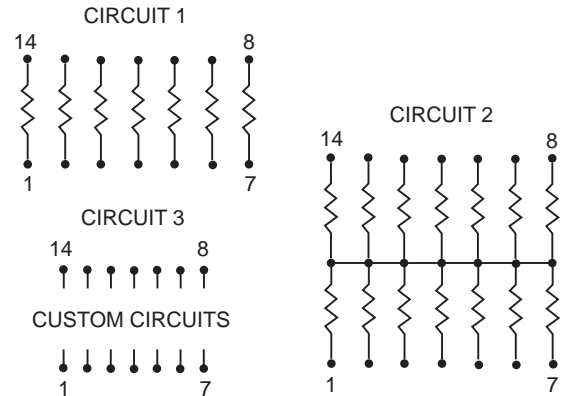
**ULTRA PRECISION
THIN FILM DIP NETWORKS**

FEATURES:

- Temperature coefficients to $\pm 1\text{ppm}/^\circ\text{C}$
- Tolerances to $\pm 0.01\%$
- Superior TCR tracking to $\pm 0.5\text{ppm}/^\circ\text{C}$
- Ratios available to $.005\%$
- Custom circuit schematics available
- Custom case outline per customer requirements



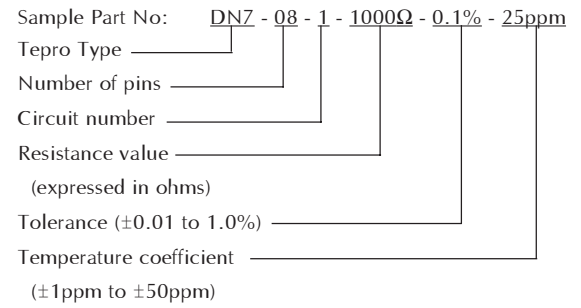
STANDARD CIRCUITS



GENERAL SPECIFICATIONS:

- Elements: Vacuum deposited nickel - chrome alloy
- Terminals: Tinned copper leads, solderable / weldable
- Operating temperature range: -55°C to $+125^\circ\text{C}$
- Power rating per element: .05 watts to .250 watts at $+125^\circ\text{C}$
- Insulating resistance: Greater than $10^4\text{M}\Omega$
- Dielectric strength: 300 VRMS (min.)
- Voltage coefficient: 5ppm/volt (max.), typical less than 2ppm/volt
- Noise factor: Below -20db

HOW TO ORDER:



STANDARD CONFIGURATIONS AND ELECTRICAL SPECIFICATIONS:

TEPRO TYPE	NUMBER PINS	DIMENSIONS (Inches)				RESISTORS PER PACKAGE	PACKAGE POWER (Watts)	RESISTANCE RANGE	
		L ± 0.010	W ± 0.010	H ± 0.010	S ± 0.010			MIN. (Ohms)	MAX. (Ohms)
DN-708-1	8	0.530	0.410	0.250	0.300	4	0.8	10	1M
DN-714-1	14	0.790	0.410	0.250	0.300	7	1.4	10	1M
DN-716-1	16	0.890	0.410	0.250	0.300	8	1.6	10	1M
DN-808-2	8	0.530	0.480	0.460	0.300	7	0.7	10	2M
DN-814-2	14	0.760	0.480	0.460	0.300	13	1.3	10	2M
DN-816-2	16	0.860	0.480	0.460	0.300	15	1.5	10	2M